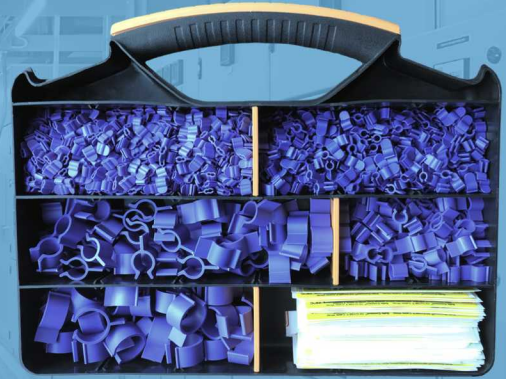


Safe-Connect Thermochromic Service Kit



Simple Application

Easy and quick push-on installation means no de-energizing or disconnection is needed

Easy to Read

The thermochromic material provides a highly-visible predictive warning when viewing through inspection windows

Broad Coverage

Multiple models available to provide for varying wire sizes 17AWG to 750MCM wires. Suitable for circuits rated 36kVAC/600VDC

Our new Safe-Connect Service Kit has been designed for the on-the-go Service Professional where portability and functionality is of the utmost importance helping you deliver to multiple sites without having to replenish your product stock. Included in the kit are the full range of IRISS Safe-Connect product line. From switchgear and cables to busbars and general home/office use, these overtemperature indicators provide visible warning before an electrical incident or fire occur.

Includes:

- ThermoClips (1000 H1, 500 H2, 100 H3, 50 H4, 25 H5)
- 20 ThermoSpots (TS52)
- 20 ThermoWrap 70 Deg (TW70)
- 20 ThermoWrap 90 Deg (TW90)
- 20 ThermoSpot-B (TSBB)
- 20 Thermo T-MAX
- 20 Thermo T
- 1 TP70 W/R .5oz

Part #: TSK-1



North America (HQ)
+1 (941) 907 9128

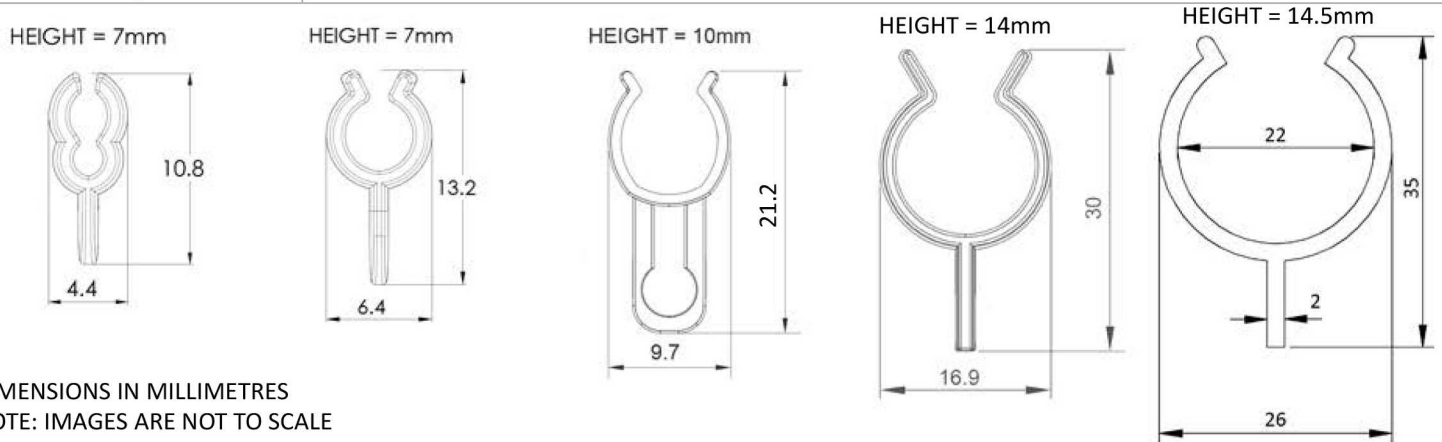
LATAM
+1 (941) 704-4445

EMEA
+44 (0) 843-507-0099

APAC
+1 (941) 524-3340

Specifications

Physical Properties	ThermoClips
Base Materials	5-10% Thermochromic Plastic. 90-95% Polypropylene, flame retardant to UL94V0 self extinguishing rating, non-halogenated.
Initial Color Change Temperature	53°C / 127°F
Permanent Color Change Temperature	70°C / 158°F
Tolerance	+/- 1°C
Response Time	5 to 20 Seconds
Recommended Storage	Store at room temperature & humidity (i.e. 16 to 27°C/60 to 80°F & 40 to 60% RH)
Product Lifespan	Replace overtemperature connection indicators within a maximum lifespan interval of 5 years.
Dielectric Strength	44Kv Per mm
Wire Insulation Rating	36kVAC/600VDC



H1	H2	H3	H4	H5
17-12 AWG Wire Range	10-6 AWG Wire Range	4-2/0 AWG Wire Range	3/0-350 MCM Wire Range	400-750 MCM Wire Range
2.3-4.2 mm OD	4.8-7.1 mm OD	8-13.6 mm OD	13.8-23 mm OD	23-31 mm OD

Physical Properties	TW70	TW90	TS52	TSBB
Materials	Acrylic, Polyester	Acrylic, Polyester	Acrylic, Polyester	Acrylic, Polyester
Response Time	2 to 5 seconds	2 to 5 seconds	2 to 5 seconds	2 to 5 seconds
Color Change Material	Non-toxic, white crystalline solid on a black absorbent backing, adhered with acrylic adhesive	Non-toxic, white crystalline solid on a black absorbent backing, adhered with acrylic adhesive	Non-toxic, white crystalline solid on a red absorbent backing, adhered with acrylic adhesive	Non-toxic, white crystalline solid on a red absorbent backing, adhered with acrylic adhesive
Activation Temperature	70°C / 158°F	90°C / 194°F	52°C / 126°F	52°C / 126°F
Tolerance	-/+ 1°C	-/+ 1°C	-/+ 1°C	-/+ 1°C
Recommended Storage	Store at room temperature & humidity (i.e. 16 to 27°C/60 to 80°F & 40 to 60% RH)	Store at room temperature & humidity (i.e. 16 to 27°C/60 to 80°F & 40 to 60% RH)	Store at room temperature & humidity (i.e. 16 to 27°C/60 to 80°F & 40 to 60% RH)	Store at room temperature & humidity (i.e. 16 to 27°C/60 to 80°F & 40 to 60% RH)
Service Life	5 years (if installed as per datasheet guidance)	5 years (if installed as per datasheet guidance)	3 years (if installed as per datasheet guidance)	3 years (if installed as per datasheet guidance)
Dimensions	18mm x 115 mm (.71" x 4.53")	18mm x 115 mm (.71" x 4.53")	17mm (.67") diameter	100mm x 45mm (3.94" x 1.77")

North America (HQ)
 +1 (941) 907 9128

LATAM
 +1 (941) 704-4445

EMEA
 +44 (0) 843-507-0099

APAC
 +1 (941) 524-3340