

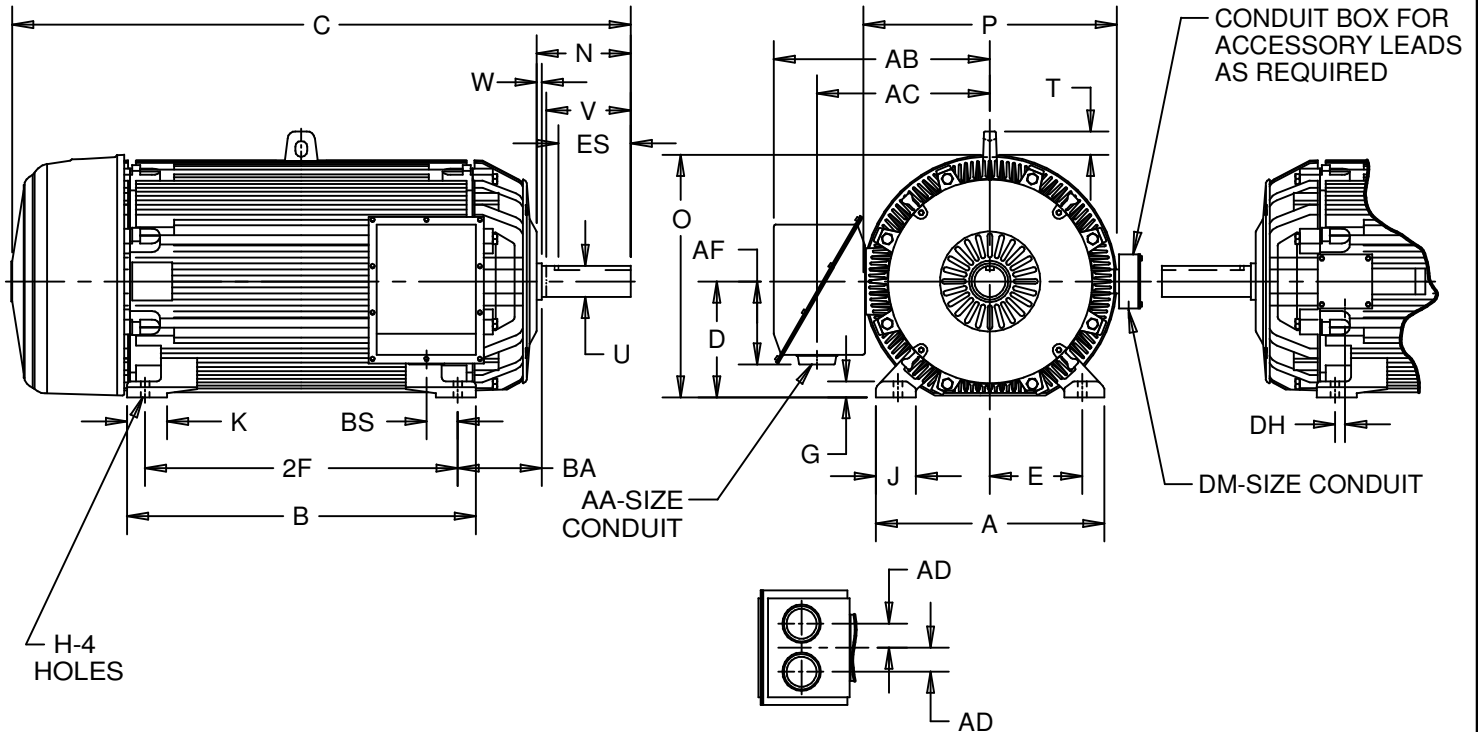
EFFECTIVE:  
**13-JAN-06**

SUPERSEDES:  
**06-AUG-98**

**HORIZONTAL MOTORS**  
TEFC/EXPLOSION PROOF  
FRAME: 5800  
TYPE: E, EC, J, JC, JE, JCE

PRINT:  
**07-2043**

SHEET:  
**1 OF 1**



ALL DIMENSIONS ARE IN INCHES

FRAME	A	B	D -.06	E	2F ±.03	G	H +.05	J	K	O	P	T	W	BA	BS
5807	28.50	29.50	14.50	11.50	25.00	2.00	1.09	5.00	5.00	30.06	31.13	3.19	.13	10.00	3.91
5809	28.50	36.50	14.50	11.50	32.00	2.00	1.09	5.00	5.00	30.06	31.13	3.19	.13	10.00	3.91
5811	28.50	44.50	14.50	11.50	40.00	2.00	1.09	5.00	5.00	30.06	31.13	3.19	.13	10.00	3.91

FRAME	HP	TYPE	VOLTS	QTY. OF CONDUIT	AB	AC	AD	AF	DH
5800	THRU 500	J	460	1	26.13	20.63	-	8.06	1.25
	ALL		2300						
	OVER 500		460	2	32.38	23.75	3.00	10.94	
	ALL		4000						
	THRU 500	E	460	1	26.13	19.44	-	5.63	
	ALL		2300						
OVER 500	460		2	32.00	21.63	3.00	8.63		
ALL	4000								

FRAME	NO. OF POLES	C	N	U -.001	V MIN	ES MIN	SQ. KEY
5807SS	2	57.50	5.88	2.875	5.50	4.13	.750
5809SS		64.50	5.88	2.875	5.50	4.13	.750
5811SS		72.50	5.88	2.875	5.50	4.13	.750
5807S	4 AND MORE	58.50	6.88	3.375	6.50	5.25	.875
5809S		65.50	6.88	3.375	6.50	5.25	.875
5811S		73.50	6.88	3.375	6.50	5.25	.875
5807ML		63.38	11.75	3.875	11.25	10.00	1.000
5809ML		70.38	11.75	3.875	11.25	10.00	1.000
5811ML		78.38	11.75	3.875	11.25	10.00	1.000

AA
2-1/2 NPT
3 NPT
3-1/2 NPT
4 NPT

DM
3/4 NPT
1 NPT
1-1/4 NPT
1-1/2 NPT

1. ALL ROUGH DIMENSIONS MAY VARY BY .25" DUE TO CASTING AND/OR FABRICATION VARIATIONS.
2. A MINIMUM CLEARANCE OF .25" BETWEEN FACE OF MOTOR AND COUPLING GUARD IS REQUIRED TO PERMIT AIR FLOW.
3. STANDARD ASSEMBLY POSITION F-1 IS SHOWN. F-2 IS PROVIDED WHEN SPECIFIED. CONDUIT OPENINGS MAY BE LOCATED IN STEPS OF 90 DEGREES REGARDLESS OF LOCATION. STANDARD AS SHOWN WITH CONDUIT OPENING DOWN.
4. "SS" SHAFT EXTENSION IS AVAILABLE ONLY ON 2-POLE RATINGS. "S" AND "ML" SHAFT EXTENSIONS ARE NOT AVAILABLE ON 2-POLE RATINGS.