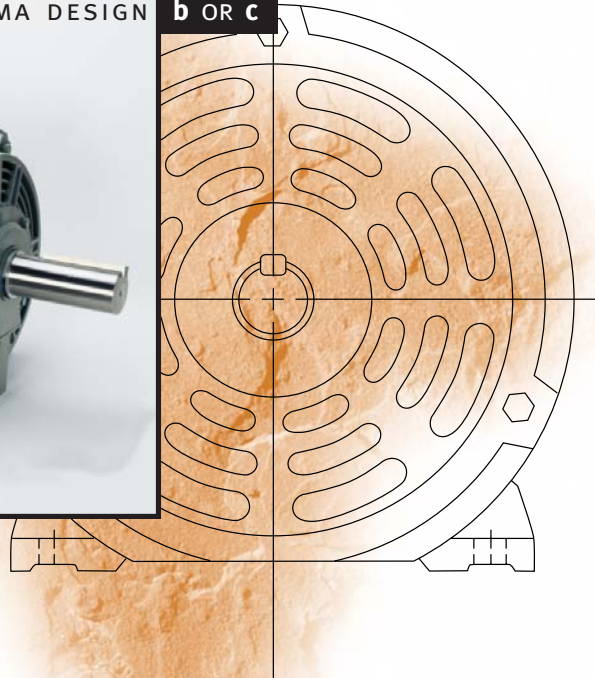
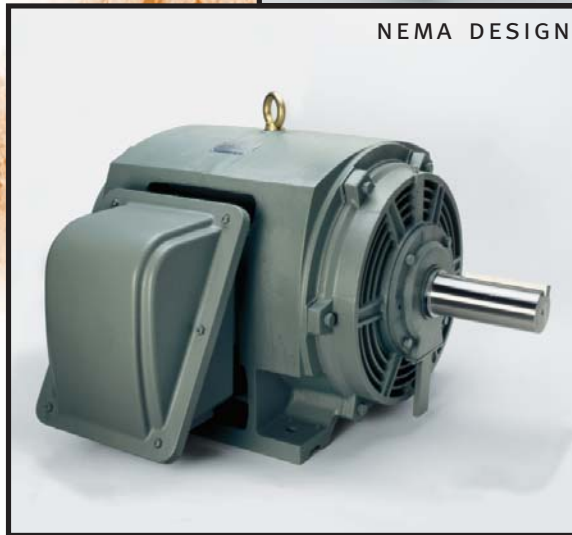


PREMIUM EFFICIENCY OPEN DRIP-PROOF



NEMA DESIGN **b** OR **c**



PREMIUM EFFICIENCY OPEN DRIP-PROOF



PERFORMANCE AND ADDITIONAL CONSTRUCTION FEATURES

- Premium efficiency and high power factor.
- Corrosion resistant hardware.
- Lead lugs on 143T to 449T frame.
- Neoprene lead separator.
- F-1 and F-2 mounting interchangeability.
- C-Flange, D-Flange and P-Base kits available for 254T to 449T frame.
- Fully tested and documented per IEEE 112, Method B and NEMA MG-1.
- Class B temperature rise.
- 1.15 service factor.
- Suitable for 208V operation from 1HP to 125HP.
- Suitable for wye-delta starting from 7.5HP to 400HP (12 leads for 7.5HP to 125HP, 6 leads for 150HP to 400HP).
- 3 Leads only on 575 Volt.

PERFORMANCE DATA

PREMIUM EFFICIENCY OPEN DRIP-PROOF

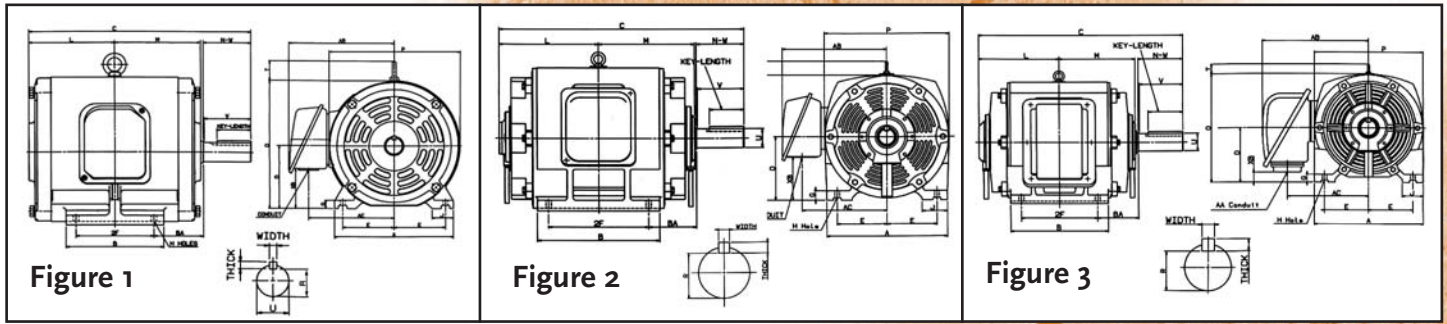
Open Drip-Proof, 3/60/230-460V(usable on 208V); 575V

NEMA Design B or Design C, Class F insulation, 40°C ambient, Continuous Duty, 1.15 S.F.

HP	Full Load RPM	Frame Size	Torque lb-ft	Full Load			Current Amps @460V	Locked Rotor		Break-Down %FLT	Rotor WK ² lb-ft ²	NEMA Code Letter	Approx. Weight lbs
				Nom. Eff. (%)	Min. Eff. (%)	P.F. (%)		Torque % FLT	Current Amps @460V				
1	1745	143T	3.0	82.5	80.0	73.5	1.55	250	15	320	0.086	N	49
	1150	145T	4.6	82.5	80.0	65.5	1.74	230	15	310	0.118	N	56
1.5	3480	143T	2.3	85.5	82.5	80.0	2.06	360	20	400	0.051	M	49
	1735	145T	4.5	85.5	82.5	75.5	2.18	300	20	350	0.103	M	56
	1165	182T	6.8	84.0	81.5	74.0	2.26	200	20	300	0.349	M	88
2	3450	145T	3.0	84.0	81.5	85.5	2.61	350	25	360	0.059	L	54
	1730	145T	6.1	84.0	81.5	77.0	2.90	290	25	330	0.118	L	59
	1165	184T	9.0	85.5	82.5	72.0	3.04	230	25	310	0.386	L	97
3	3440	145T	4.6	87.5	85.5	87.0	3.69	360	32	370	0.081	K	62
	1755	182T	9.0	89.5	87.5	81.0	3.88	220	32	330	0.275	K	82
	1165	213T	13.5	87.5	85.5	75.0	4.28	200	32	300	0.666	K	132
5	3465	182T	7.6	87.5	85.5	91.0	5.90	260	46	310	0.190	J	88
	1740	184T	15.1	88.5	86.5	86.0	6.20	200	46	270	0.382	J	99
	1160	215T	22.6	88.5	86.5	77.5	6.85	200	46	300	0.901	J	158
7.5	3465	184T	11.4	88.5	86.5	91.5	8.65	300	64	310	0.250	H	101
	1755	213T	22.4	90.2	88.5	85.5	9.10	240	64	300	0.672	H	152
	1170	254T	33.7	89.5	87.5	81.0	9.70	210	64	240	1.744	H	212
10	3510	213T	15.0	90.2	88.5	88.0	11.80	200	81	270	0.412	H	156
	1750	215T	30.0	91.0	89.5	88.0	11.70	220	81	280	0.924	H	181
	1170	256T	44.9	90.2	88.5	80.5	12.90	250	81	280	2.375	H	260
15	3500	215T	22.5	90.2	88.5	87.5	17.80	200	116	260	0.513	G	181
	1760	254T	44.8	91.0	89.5	87.5	17.65	210	116	260	1.866	G	247
	1175	284T	67.0	91.0	89.5	81.5	18.95	250	116	260	5.421	G	343
20	3520	254T	29.8	91.0	89.5	90.5	22.80	210	145	260	0.941	G	233
	1755	256T	59.8	91.0	89.5	88.0	23.40	200	145	240	2.180	G	277
	1175	286T	89.4	91.0	89.5	83.5	24.65	220	145	230	6.824	G	392
25	3530	256T	37.2	91.0	89.5	91.5	28.10	240	183	270	1.224	G	282
	1760	284T	74.6	92.4	91.0	85.5	29.65	210	183	240	3.394	G	352
	1175	324T	111.7	91.7	90.2	81.5	31.30	200	183	230	8.908	G	528
30	3540	284TS	44.5	92.4	91.0	90.5	33.60	230	218	250	1.600	G	370
	1765	286T	89.2	92.4	91.0	86.5	35.15	210	218	250	4.197	G	407
	1175	326T	134.1	92.4	91.0	80.5	37.75	220	218	240	10.392	G	572
40	3535	286TS	59.4	92.4	91.0	91.5	44.30	210	290	250	2.127	G	429
	1765	324T	119.0	93.0	91.7	88.0	45.75	210	290	240	6.487	G	517
	1180	364T	178.0	93.6	92.4	83.5	47.90	210	290	220	14.487	G	693
50	3555	324TS	73.8	93.0	91.7	86.0	58.50	190	363	250	2.908	G	517
	1770	326T	148.3	93.6	92.4	88.0	57.00	240	363	260	7.874	G	594
	1180	365T	222.5	93.0	91.7	84.5	59.50	210	363	220	17.936	G	770
60	3555	326TS	88.6	93.6	92.4	87.0	69.00	190	435	260	3.590	G	579
	1770	364T	178.0	94.1	93.0	84.5	70.50	200	435	230	9.783	G	704
	1180	404T	267.0	94.1	93.0	86.5	69.00	230	435	250	24.880	G	924
75	3555	364TS	110.8	94.1	93.0	90.5	82.50	160	543	250	5.870	G	671
	1775	365T	221.8	94.5	93.6	84.5	88.00	200	543	240	11.739	G	770
	1180	405T	333.7	94.5	93.6	86.5	86.00	220	543	250	31.371	G	1067
100	3555	365TS	147.7	94.1	93.0	90.5	110.0	160	725	280	7.044	G	726
	1775	404T	295.8	94.1	93.0	86.0	115.5	200	725	270	19.763	G	981
	1181	444T	445.0	94.1	93.0	85.1	117.0	140	725	210	45.000	G	1170
125	3560	404TS	184.4	94.1	93.0	90.5	137.5	140	908	250	8.379	G	906
	1775	405T	369.7	94.5	93.6	87.5	141.5	180	908	210	24.059	G	1089
	1181	445T	556.0	94.1	93.0	85.1	146.0	138	908	210	52.000	G	1280
150	3560	405TS	221.2	94.5	93.6	90.5	164.0	140	1085	250	9.976	G	1370
	1779	444T	442.0	95.0	94.1	86.5	171.0	134	1085	210	43.000	G	1320
	1181	445T	667.0	94.5	93.6	86.0	173.0	132	1085	205	58.000	G	1370
200	3548	444TS	296.0	94.5	93.6	89.5	221.0	102	1450	210	15.000	G	1150
	1780	445T	590.0	95.0	94.1	87.5	225.0	125	1450	205	55.000	G	1430
	1182	447TZ	888.0	94.5	93.6	86.0	230.0	129	1450	205	102.000	G	1810
250	3550	445TS	370.0	94.5	93.6	89.5	279.0	102	1825	210	17.000	G	1280
	1782	447TZ	736.0	95.4	94.5	87.5	280.0	121	1825	205	62.000	G	1760
	1184	449TZ	1108.0	95.4	94.5	86.0	285.0	118	1825	205	120.000	G	2160
300	3553	445TS	443.0	95.0	94.1	90.5	327.0	101	2200	205	20.000	G	1320
	1783	449TZ	883.0	95.4	94.5	88.0	335.0	121	2200	205	71.000	G	1870
350	3558	447TS	516.0	95.0	94.1	90.6	381.0	100	2550	200	33.000	G	1590
400	3558	449TS	590.0	95.4	94.5	90.6	433.0	100	2900	200	38.000	G	1760

- Note:
1. The above are typical values based on actual load testing and full voltage starting in accordance with ANSI/IEEE Standard 112 Method B.
 2. Minimum guaranteed efficiency values can be certified with actual test.
 3. Breakdown and locked rotor torque are shown as average expected values.
 4. 150HP and above are available as 460V or 575V only.
 5. Data subject to change without notice.

DIMENSIONS



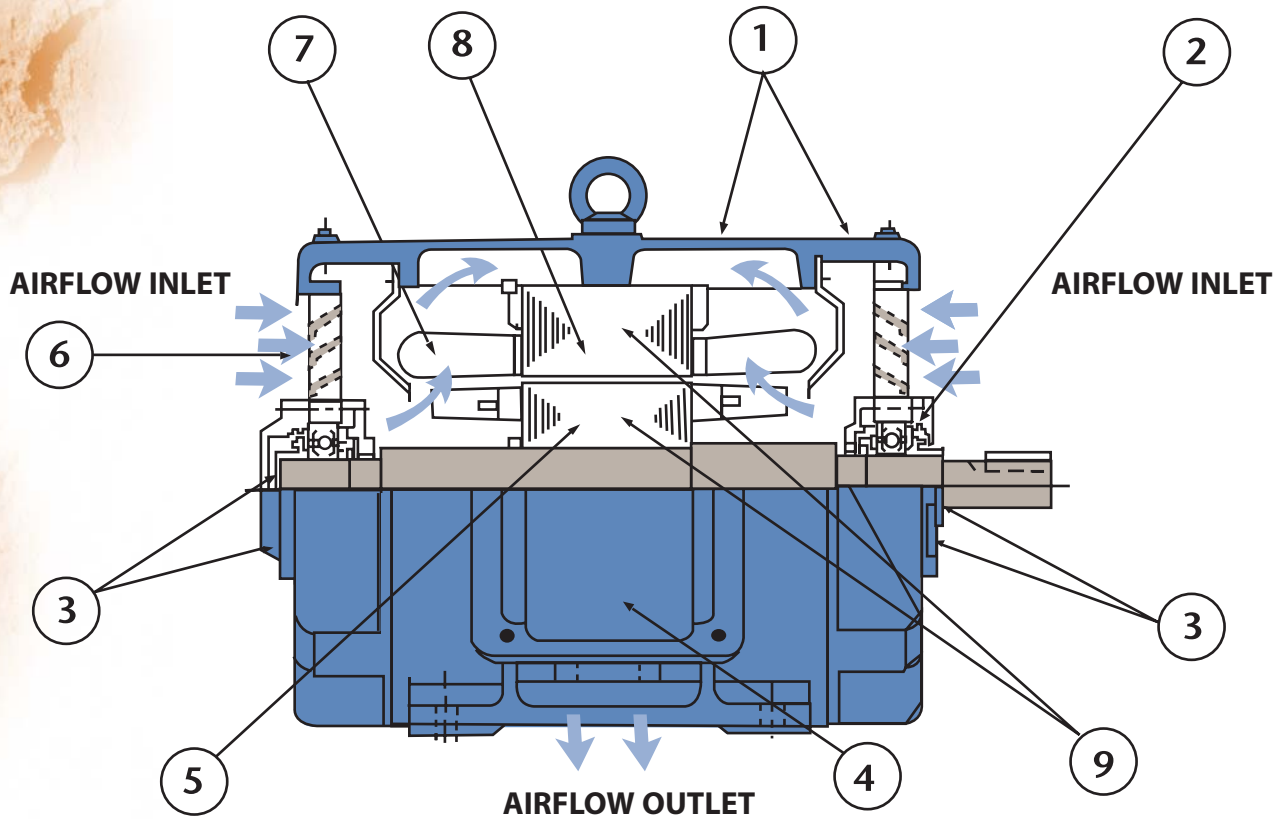
Frame No.	Fig.	Mounting												
		E	2F	H	BA	A	B	C	D	G	J	K	L	M
143T	1	2.75	4.00	.34	2.25	6.70	5.10	10.65	3.50	0.35	1.40	-	4.14	4.02
145T		2.75	5.00	.34	2.25	6.70	5.90	11.63	3.50	0.35	1.40	-	4.63	4.51
182T		3.75	4.50	.41	2.75	8.80	5.90	12.74	4.50	0.65	1.75	-	5.00	4.85
184T		3.75	5.50	.41	2.75	8.80	6.90	13.76	4.50	0.65	1.75	-	5.50	5.35
213T		4.25	5.50	.41	3.50	9.85	6.90	15.70	5.25	0.70	1.75	-	6.06	6.06
215T		4.25	7.00	.41	3.50	9.85	8.35	17.19	5.25	0.70	1.75	-	6.81	6.81
254T	2	5.00	8.25	.53	4.25	11.80	9.85	20.45	6.25	0.65	1.97	-	8.07	8.07
256T		5.00	10.00	.53	4.25	11.80	11.80	22.19	6.25	0.65	1.97	-	8.94	8.94
284TS		5.50	9.50	.53	4.75	14.00	11.70	22.61	7.00	0.70	2.95	-	9.86	9.31
284T		5.50	9.50	.53	4.75	14.00	11.70	23.96	7.00	0.70	2.95	-	9.86	9.31
286TS		5.50	11.00	.53	4.75	14.00	13.20	24.11	7.00	0.70	2.95	-	10.61	10.06
286T		5.50	11.00	.53	4.75	14.00	13.20	25.48	7.00	0.70	2.95	-	10.61	10.06
324TS		6.25	10.50	.53	5.25	15.75	12.80	25.10	8.00	1.10	3.15	-	10.85	10.30
324T		6.25	10.50	.66	5.25	15.75	12.80	26.60	8.00	1.10	3.15	-	10.85	10.30
326TS		6.25	12.00	.66	5.25	15.75	14.40	26.59	8.00	1.10	3.15	-	11.59	11.04
326T		6.25	12.00	.66	5.25	15.75	14.40	26.60	8.00	1.10	3.15	-	11.59	11.04
364TS		7.00	11.25	.66	5.88	17.00	14.00	26.82	9.00	1.00	3.55	-	11.57	11.28
364T		7.00	11.25	.66	5.88	17.00	14.00	28.95	9.00	1.00	3.55	-	11.57	11.28
365TS		7.00	12.25	.66	5.88	17.00	15.00	27.82	9.00	1.00	3.55	-	12.07	11.79
365T		7.00	12.25	.66	5.88	17.00	15.00	29.95	9.00	1.00	3.55	-	12.07	11.79
404T	3	8.00	12.25	.81	6.62	18.90	14.95	33.04	10.00	1.40	3.75	3.75	13.05	12.25
404TS		8.00	12.25	.81	6.62	18.90	14.95	29.84	10.00	1.40	3.75	3.75	12.85	12.25
405T		8.00	13.75	.81	6.62	18.90	16.15	34.54	10.00	1.40	3.75	3.75	13.80	13.00
405TS		8.00	13.75	.81	6.62	18.90	16.15	31.34	10.00	1.40	3.75	3.75	13.60	13.00
444T		9.00	14.50	.81	7.50	21.65	17.70	38.30	11.00	1.40	3.75	3.75	15.05	14.25
444TS		9.00	14.50	.81	7.50	21.65	17.70	34.35	11.00	1.40	3.75	3.75	14.85	14.25
445T		9.00	16.50	.81	7.50	21.65	19.70	40.30	11.00	1.40	3.75	3.75	16.05	15.25
445TS		9.00	16.50	.81	7.50	21.65	19.70	36.35	11.00	1.40	3.75	3.75	15.85	15.25
447TZ		9.00	20.00	.81	7.50	22.05	23.20	43.95	11.00	1.40	4.35	4.35	17.95	17.35
447TS		9.00	20.00	.81	7.50	22.05	23.20	40.20	11.00	1.40	4.35	4.35	17.95	17.15
449TZ		9.00	25.00	.81	7.50	22.05	27.95	48.95	11.00	1.40	4.35	4.35	20.45	19.85
449TS		9.00	25.00	.81	7.50	22.05	27.95	45.20	11.00	1.40	4.35	4.35	20.45	19.65

Frame No.	O	P	T	Width	Key			Keyseat R	Conduit Box				Shaft Extension		
					Thick	Length	Keyseat		AA	AB	AC	XB	N-W	U	V
143T	7.52	7.88	-	.1875	.1875	1.41	0.771	1.10	6.40	5.10	2.32	2.25	0.875	2.20	
145T	7.52	7.88	-	.1875	.1875	1.41	0.771	1.10	6.40	5.10	2.32	2.25	0.875	2.20	
182T	9.25	9.37	1.34	.2500	.2500	1.78	0.986	1.10	7.10	5.67	3.30	2.75	1.125	2.70	
184T	9.25	9.37	1.34	.2500	.2500	1.78	0.986	1.10	7.10	5.67	3.30	2.75	1.125	2.70	
213T	10.71	10.75	1.65	.3125	.2500	2.41	1.201	1.38	8.65	6.89	3.35	3.38	1.375	3.30	
215T	10.71	10.75	1.65	.3125	.3125	2.41	1.201	1.38	8.65	6.89	3.35	3.38	1.375	3.30	
254T	12.67	12.71	2.00	.3750	.3125	2.91	1.416	1.38	10.31	8.62	4.20	4.00	1.625	3.90	
256T	12.67	12.71	2.00	.3750	.3750	2.91	1.416	1.38	10.31	8.62	4.20	4.00	1.625	3.90	
284TS	14.21	14.52	2.00	.3750	.3750	1.93	1.416	2.05	11.85	9.65	4.60	3.25	1.625	3.20	
284T	14.21	14.52	2.00	.5000	.5000	3.28	1.591	2.05	11.85	9.65	4.60	4.62	1.875	4.50	
286TS	14.21	14.52	2.00	.3750	.3750	1.93	1.416	2.05	11.85	9.65	4.60	3.25	1.625	3.20	
286T	14.21	14.52	2.00	.5000	.5000	3.28	1.591	2.05	11.85	9.65	4.60	4.62	1.875	4.50	
324TS	16.02	16.10	2.35	.5000	.5000	2.03	1.591	2.56	13.15	10.79	5.20	3.75	1.875	3.65	
324T	16.02	16.10	2.35	.5000	.5000	3.91	1.845	2.56	13.15	10.79	5.20	5.25	2.175	5.15	
326TS	16.02	16.10	2.35	.5000	.5000	2.03	1.591	2.56	13.15	10.79	5.20	3.75	1.875	3.65	
326T	16.02	16.10	2.35	.5000	.5000	3.91	1.845	2.56	13.15	10.79	5.20	5.25	2.125	5.15	
364TS	17.93	17.48	2.80	.5000	.5000	2.30	1.591	3.62	14.65	11.89	6.20	3.75	1.875	3.65	
364T	17.93	17.48	2.80	.6250	.6250	4.28	2.021	3.62	14.65	11.89	6.20	5.88	2.375	5.75	
365TS	17.93	17.48	2.80	.5000	.5000	2.30	1.591	3.62	14.65	11.89	6.20	3.75	1.875	3.65	
365T	17.93	17.48	2.80	.6250	.6250	4.28	2.021	3.62	14.65	11.89	1.40	5.88	2.375	5.75	
404T	19.90	19.45	2.80	.7500	.7500	5.67	2.450	3.62	22.45	16.35	1.40	7.25	2.875	7.15	
404TS	19.90	19.45	2.80	.5000	.5000	2.80	1.845	3.62	22.45	16.35	1.40	4.25	2.125	4.15	
405T	19.90	19.45	2.80	.7500	.7500	5.67	2.450	3.62	22.45	16.35	1.40	7.25	2.875	7.15	
405TS	19.90	19.45	2.80	.5000	.5000	2.80	1.845	3.62	22.45	16.35	1.40	4.25	2.125	4.15	
444T	22.30	22.20	3.55	.8750	.8750	6.93	2.880	3.00	22.85	16.75	2.40	8.50	3.375	6.40	
444TS	22.30	22.20	3.55	.6250	.6250	3.03	2.021	3.00	22.85	16.75	2.40	4.75	2.375	4.70	
445T	22.30	22.20	3.55	.8750	.8750	6.93	2.880	3.00	22.85	16.75	2.40	8.50	3.375	6.40	
445TS	22.30	22.20	3.55	.6250	.6250	3.03	2.021	3.00	22.85	16.75	2.40	4.75	2.375	4.70	
447TZ	23.40	24.00	4.35	.8750	.8750	6.93	2.880	3.00	24.00	17.90	2.40	10.125	3.375	9.875	
447TS	23.40	24.00	4.35	.6250	.6250	3.03	2.021	3.00	24.00	17.90	2.40	4.75	2.375	4.70	
449TZ	23.40	24.00	4.35	.8750	.8750	6.93	2.880	3.00	24.00	17.90	2.40	10.125	3.375	9.875	
449TS	23.40	24.00	4.35	.6250	.6250	3.03	2.021	3.00	24.00	17.90	2.40	4.75	2.375	4.70	

- Note:
1. Dimension D tolerance: +0.00 inch-0.03 inch (143T-405T); +0.00 inch-0.06 inch (444T-449T).
 2. Dimension U tolerance: +0.000 inch-0.005 inch (143T-215T); +0.000 inch-0.001 inch (254T-449T).
 3. Dimension R tolerance: +0.00 inch-0.015 inch.
 4. Dimension V is the usable length of the shaft.

TYPICAL CONSTRUCTION AND FEATURES

OPEN DRIP-PROOF NEMA Frames 143T-449T



1. High grade cast-iron frame and end brackets for distortion free and rigid alignment.
2. Oversized vacuum de-gassed steel bearings allow extra overhung load capacities and longer bearing life.
3. Uniquely designed flinger and bearing cap to protect bearing against dust and moisture.
4. Ninety degree (90°) rotatable oversized gasketed conduit box with grounding terminal and NPT threaded conduit entrance.
5. Dynamically balanced, pressure cast aluminum rotor assembly with integrally cast fans for maximum cooling and reliable, quiet operation.
6. Double suction ventilation design (frames 254T and larger) and axial ventilation design (frames 254T and smaller) provide the most efficient cooling system, quiet operation and low temperature rise.
7. Heavy polyester enameled copper wires are used for stator winding, along with multi-dipped and baked varnish treatment and one-spray enamel top coating to assure long life.
8. The Class F Polyester Film/DMD non-hygroscopic insulation system meets or exceeds NEMA and IEEE standards. There is maximum protection against heat, corrosion, abrasion and moisture.
9. High grade, insulated, cold-rolled electromagnetic steel laminations for stator and rotor to ensure high efficiency performance.

D I S T R I B U T E D B Y :



PO Box 277, (78680-0277)
5100N IH 35
Round Rock, TX 78681
1-800-451-8798

www.tecowestinghouse.com

