

LOW VOLTAGE MOTORS



Oil Well Pump



**High-Slip
Design**

Reliability *in motion*[®]

- High Efficiency Design
- NEMA Design-D (5 to 8% Slip)
- All Cast Iron Construction
- Corrosion-Resistant Screens and Hardware
- F-2 Assembly
- Thermally Protected

***Two Year
Warranty***

PRODUCT SCOPE

PRODUCT SCOPE	
Horsepower	5 to 100 HP
RPM	1200 RPM
Voltage	230/460 to 796 V, 1.15 Service Factor
Enclosure	Open Drip Proof
Frames	215T through 444T
Insulation	Class-F with Class-B Rise at 1.0 Service Factor
Vibration	Maximum 0.10 Inches/Second

OIL WELL PUMP MOTORS

Premium Features are Standard on Toshiba Oil Well Pump Motors

1. Oversized Bearings

Oversized bearings assure long life and quiet operation, making the Oil Well Pump motor suitable for use over a large range of applications.

2. Class-F Insulation System

The Oil Well Pump motor contains a Class-F insulation system with multiple dips and bakes in Class-H epoxy varnish. An additional coating of motor finish varnish provides maximum protection against temperature, corrosion, abrasion, and moisture.

3. Dynamic Balanced Rotor

The Oil Well Pump motor is precision built with specially designed rotor slots to minimize stray losses and improve torques. The pressure-cast aluminum rotor bars, integrally cast to the end rings and cooling fans, create a rugged, reliable, and quiet motor.

4. Efficient Ventilation

This unique single-end or double-end ventilation assures maximum cooling with efficient and quiet operation.

5. Distortion Free Frame

High Grade-25 cast iron frame, machined to close tolerance, guarantees accurate alignment and fit, in accordance with our high standards. Exceptional corrosion resistance and high structural rigidity are inherent in this type of construction.

6. Rugged Cast Iron End Brackets

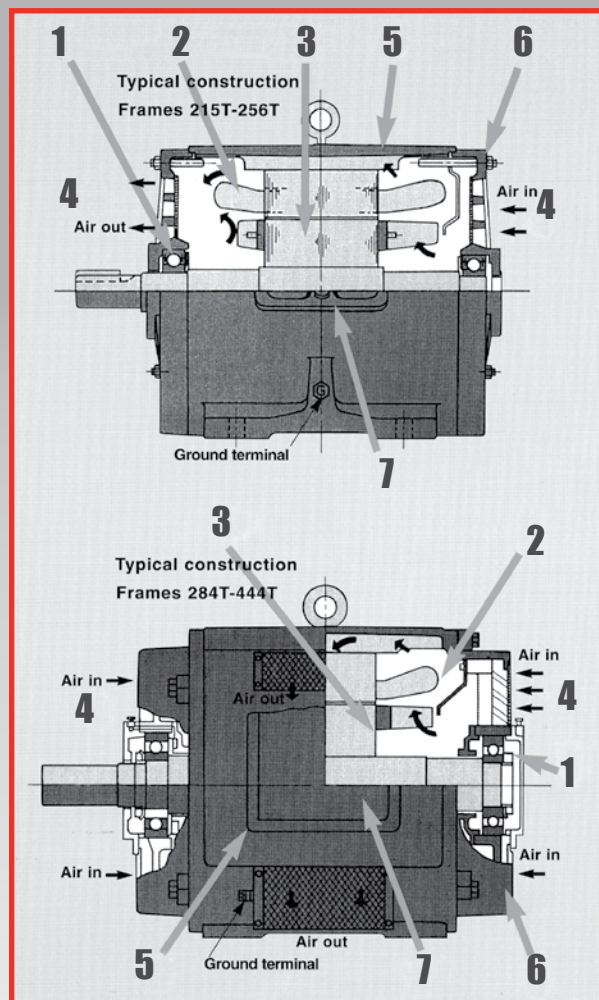
The motor's drip-proof and guarded end brackets, of cast iron construction, are precision machined to provide rigid alignments.

7. Specially Designed, Large Cast Iron Conduit Box

The conduit box's large diagonally-split construction assures plenty of room to make proper connections. It is easily adjusted to 90° positions so that the conduit can be accessed from any direction. The conduit box can be located on either side of motor, standard is F-2 Assembly.

8. Stainless Steel Nameplate

Long-life, corrosion-free, stainless steel nameplate complete with connection diagram is included.



MOTORS ADJUSTABLE SPEED DRIVES CONTROLS UPS INSTRUMENTATION PLC

TOSHIBA

**TOSHIBA INTERNATIONAL CORPORATION
INDUSTRIAL DIVISION**

13131 West Little York Road, Houston, Texas 77041
Tel 713/466-0277 Fax 713/466-8773
US 800/231-1412 Canada 800/872-2192 Mexico 01/800/527-1204
www.toshiba.com/ind
Copyright 2/2008

Available Through:

