

DOUBLE-FED WOUND ROTOR INDUCTION GENERATOR

C A T C H T H E W I N D

- High Efficiency & Optimum Reliability
- Low Maintenance Design
- Robust Bearing Insulation Design*
for Challenging Wind Environments
- Partial Discharge-Free Winding
Insulation System
- Global Design, Manufacturing,
& Service Capability
- Permanent Magnet Generators
Also Available

* Patent Pending

TECO   **Westinghouse**



Technical Specifications (DOUBLE-FED WOUND ROTOR INDUCTION GENERATOR)

PRODUCT SERIES	RATED OUTPUT (kW)	STATOR VOLTAGE (V)	FREQUENCY (Hz)	NO. OF POLES	SYNCHRONOUS SPEED (RPM)	SPEED RANGE (% OF SYNCH. SPEED)	POWER FACTOR (LEADING)	INSULATION CLASS	EFFICIENCY*	AMBIENT TEMP. (°C)
TW450XX	500-1000	460/ 575/ 690	50/ 60	4/ 6	50 Hz: 1000/ 1500 60 Hz: 1200/ 1800	68% to 134%	-0.90 to +0.90	H/ F	≥ 96%	-40 to +50
TW500XX	1,000-2,000	460/ 575/ 690	50/ 60	4/ 6	50 Hz: 1000/ 1500 60Hz: 1200/ 1800	68% to 134%	-0.90 to +0.90	H/ F	≥ 96%	-40 to +50
TW560XX	2,000-3,000	460/ 575/ 690	50/ 60	4/ 6	50 Hz: 1000/ 1500 60 Hz: 1200/ 1800	68% to 134%	-0.90 to +0.90	H/ F	≥ 96%	-40 to +50

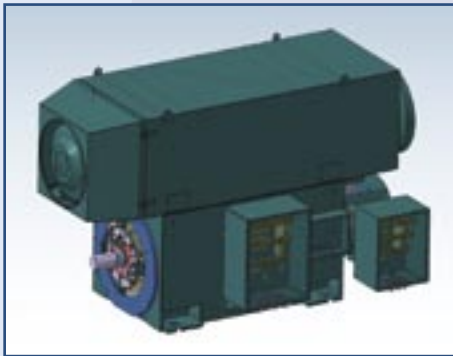
XX: Enclosure Type

DP: Open Drip Proof

AC: Totally Enclosed Air-to-Air Cooled

WC: Totally Enclosed Water Cooled

* Consult factory for higher efficiency capabilities.



Totally Enclosed Air-to-Air Cooled (TEAAC) Enclosure



Open Drip Proof (ODP) Enclosure



Totally Enclosed Water Cooled (TEWC) Enclosure

TECO   **Westinghouse**

5100 N. IH-35
Round Rock, Texas 78681
1-800-451-8798
www.tecowestinghouse.com