

Sumitomo Machinery Corp. of America

Headquarters & Manufacturing

4200 Holland Boulevard

Chesapeake, VA 23323

Tel: 757-485-3355

Fax: 757-485-7490

www.sumitomodrive.com

E-mail: customercare@suminet.com

World Headquarters

Japan

Canada

Toronto

Vancouver

Montreal

Mexico

Monterrey

Mexico City

Guadalajara

South America

Brazil

Chile

Argentina

Europe

Austria

Belgium

France

Germany

Italy

Spain

Sweden

United Kingdom

Asia

China

Hong Kong

Indonesia

Korea

Malaysia

Philippines

Singapore

Taiwan

Thailand

Vietnam

Other Locations

Australia

India

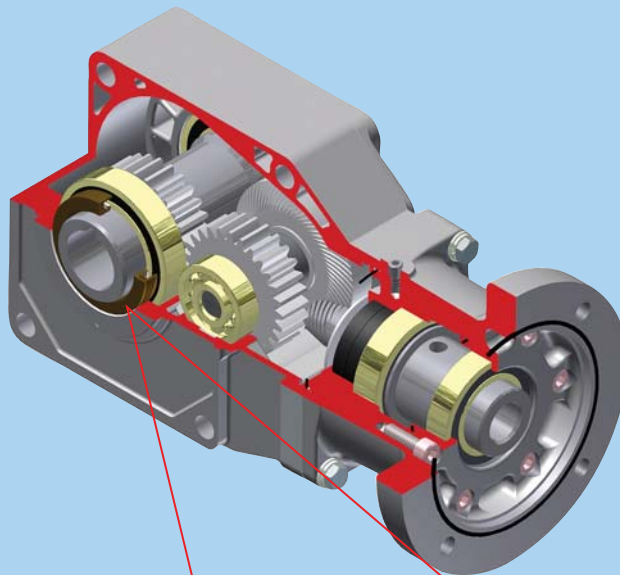
New Zealand

www.sumitomodrive.com

## Food-Grade Hyponic® Quill High-Pressure Washdown Package

- ▶ Same reliable Hyponic® product, new improved features for **harsh washdown applications in the food and beverage industry**
- ▶ Severe duty seal; powder coating and stainless steel hollow bore designed to withstand high-pressure washdown
- ▶ Space-saving quill style motor adapters accommodate stainless steel and washdown motors
- ▶ H1 approved, food-grade synthetic lubricant

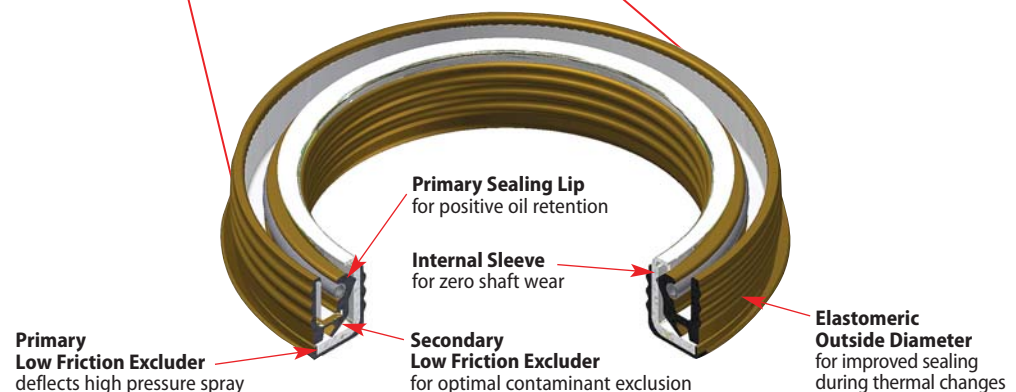
U. S. PAT. NO. 5,203,231  
U. S. PAT. NO. 5,375,479



### Hyponic® Advantages

- **Offset, all-steel hypoid design**
  - ~ Efficient torque transmission; more torque per unit in a small, compact size
  - ~ Stainless steel hollow bore for quick, easy retrofit and installation
  - ~ Extremely quiet, smooth operation is ideal for commercial use
- **Severe duty package, maximum washdown protection**
  - ~ Unique seal design - rotor turns with shaft
  - ~ Corrosion resistant, stainless steel hollow bore and hardware
  - ~ Harsh duty, NSF 51 approved antimicrobial powder coating
- **H1 approved, food-grade synthetic lubricant**
  - ~ All sizes are grease lubricated, eliminates oil leaks
- **The best product warranty**
  - ~ 24 month warranty backs up proven Hyponic® reliability

### Harsh Duty FKM Antimicrobial Seal



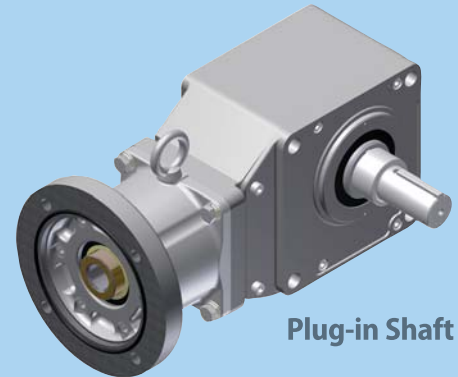
## Food-Grade Hyponic® Quill

### Available Motor Frame Sizes

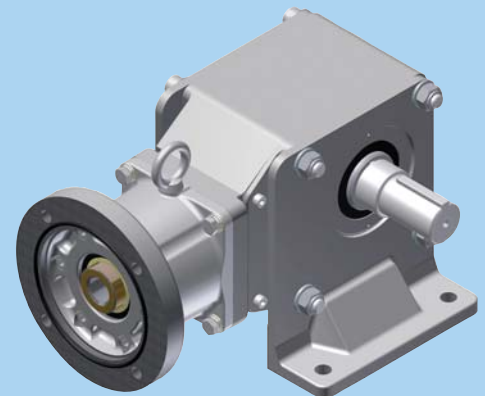
Frame Size	Ratio (:1)	Standard Bore* (inches)	Output Torque at 1750 RPM Input (in-lb)	Available Motor Frames
1120	7 ~ 60	3/4	57.5 ~ 246	56C
1220	7 ~ 60	1	115 ~ 492	56C
1230	80 ~ 120	1	328 ~ 492	56C
1320	7 ~ 30 40 ~ 60	1-1/4	230 ~ 985 657 ~ 985	56C ~ 143TC 56C
1330	80~240	1-1/4	657 ~ 918	56C
1340	300 ~ 720	1-1/4	1160 ~ 1730	56C
1420	7 ~ 30 40 ~ 60	1-3/8	442 ~ 1900 1310 ~ 1970	145TC 56C ~ 143TC
1430	80 ~ 240	1-3/8	1310 ~ 1840	56C
1440	300 ~ 1440	1-3/8	2320 ~ 3450	56C
1530	80 ~ 120 150 ~ 240	1-1/2	2630 ~ 3940 2230 ~ 3670	56C ~ 143TC 56C
1531	40 ~ 80	1-1/2	2530 ~ 5060	145TC
1540	300 ~ 1440	1-1/2	4640 ~ 6480	56C
1630	12 ~ 120	2	903 ~ 11000	143TC ~ 182TC
1631	150 ~ 240	2	13100	56C ~ 182TC
1632	12 ~ 60	2	1520 ~ 9180	184TC
1640	300 ~ 720 900 ~ 1440	2	9270 ~ 13100 13100	56C ~ 143TC 56C

\*Optional bore sizes are available. Popular keyed hollow bore sizes available from stock: 1 3/16", 1 7/16", 1 15/16", 2 3/16".

▶ Optional plug-in shaft and bolt-on feet enhance Hyponic® mounting flexibility



Plug-in Shaft



Plug-in Shaft, Foot Mount



### ▶ Applications

- Food Processing
- Animal Slaughtering & Processing
- Poultry Processing
- Bottling
- Commercial Bakery Lines
- Snack Food Manufacturing
- Conveyor Lines
- Packaging